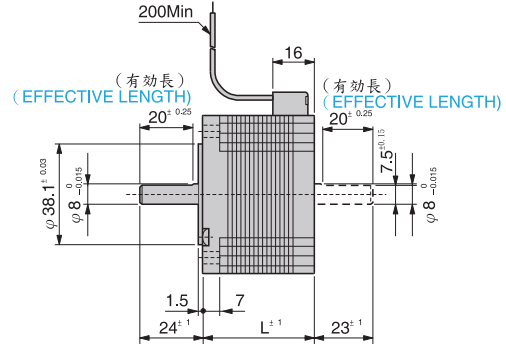
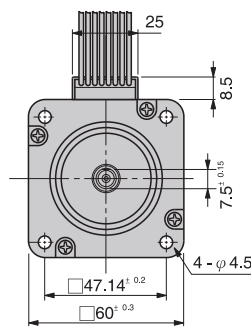
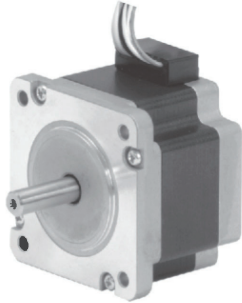


60mm HB TYPE 高扭力 · 低振動

1.8°

RoHS對應
RoHS compliant products.



形式 Type number		基本步級角 Step Angle Deg.	額定電壓 Rated Voltage V/Phase	額定電流 Rated Current A/Phase	線圈阻抗 Winding Resistance Ω/Phase	線圈感抗 Inductance mH/Phase	激磁最大 靜止力矩 Holding Torque N·m(kgf·cm)	馬達長度L Motor Length mm	轉子慣量 Rotor Inertia x10 ⁻⁷ kg·m ²	質量 Mass kg
單軸 Single Shaft	兩軸 Double Shaft									
TS3606N1E1	TS3606N11E1	1.8	5.8	1	5.8	8.6	0.75(7.5)	43.5	280	0.6
TS3606N1E2	TS3606N11E2	1.8	2.9	2	1.45	2.1	0.75(7.5)	43.5	280	0.6
TS3606N1E3	TS3606N11E3	1.8	1.95	3	0.65	0.96	0.75(7.5)	43.5	280	0.6
TS3606N2E4	TS3606N12E4	1.8	7.9	1	7.9	15.2	1.35(13.5)	54	450	0.8
TS3606N2E5	TS3606N12E5	1.8	4	2	2	3.8	1.35(13.5)	54	450	0.8
TS3606N2E6	TS3606N12E6	1.8	2.55	3	0.85	1.6	1.35(13.5)	54	450	0.8
TS3606N3E7	TS3606N13E7	1.8	9.4	1	9.4	18.8	1.7(17)	65	570	1.1
TS3606N3E8	TS3606N13E8	1.8	4.6	2	2.3	4.7	1.7(17)	65	570	1.1
TS3606N3E9	TS3606N13E9	1.8	2.9	3	0.97	2	1.7(17)	65	570	1.1
TS3606N4E10	TS3606N14E10	1.8	12.5	1	12.5	30	2.2(22)	85	900	1.45
TS3606N4E11	TS3606N14E11	1.8	6	2	3	7.5	2.2(22)	85	900	1.45
TS3606N4E12	TS3606N14E12	1.8	3.9	3	1.3	3.2	2.2(22)	85	900	1.45

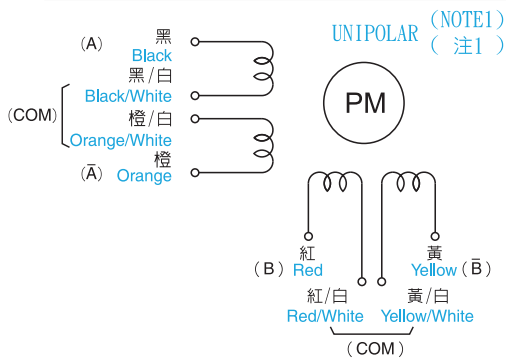
- 使用周圍溫度 ——— -20~+50°C
Operating temperature range
- 絕緣阻抗 ——— 100MΩ Min(at DC500V)
Insulation resistance
- 絕緣耐壓 ——— AC500V(1min)
Dielectric strength
- 軸心平行方向移動量 — 0.075mm Max. (With 10N(1kgf)Load)
End play

- 軸心垂直方向移動量 — 0.025mm Max. (With 5N(500gf)Load)
Radial play
- 容許溫度上昇 ——— 80deg Max(Rasistance method)
Permissible temperature rise

※注意:馬達表面請保持在90°C以下

※NOTE: Do not allow the surface temperature of the motor case to rise above 90°C during operation.

結線圖 WIRING DIAGRAM



回轉方向: 由出力軸目視之正轉方向
CW rotation from output shaft end.

Step	黑 Black	紅 Red	橙 Orange	黃 Yellow	黑/白和橙/白連接 Black/White & Orange/White	紅/白和黃/白連接 Red/White & Yellow/White
0	ON	ON			COM	COM
1		ON	ON		COM	COM
2			ON	ON	COM	COM
3	ON			ON	COM	COM
0	ON	ON			COM	COM

(注1) 黑/白和橙/白連接
紅/白和黃/白連接

Note1) Black/White connects with Orange/White
Red/White connects with Yellow/White